

50 SERIES

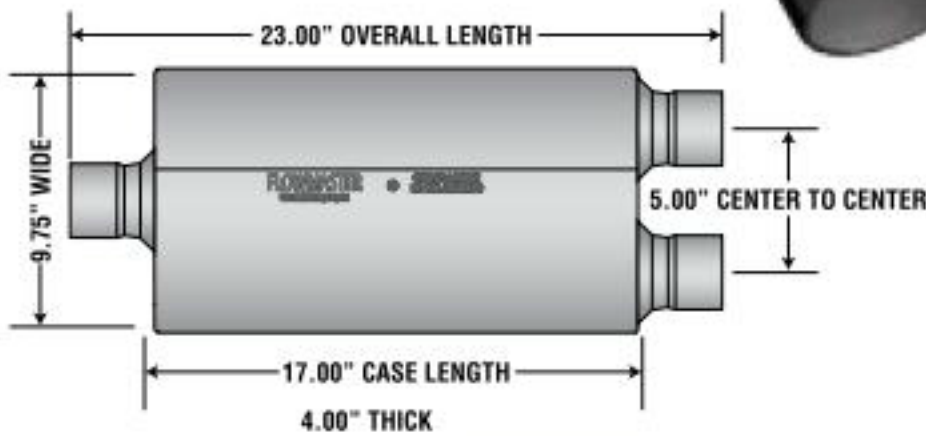
DELTA FLOW MUFFLERS

MODERATE
EXTERIOR SOUND LEVEL

MINIMAL
INTERIOR RESONANCE

Designed to reduce interior sound and resonance, the 50 Series Delta Flow's moderate exterior tone level is the result of our advanced technology. This compact exterior case size muffler was especially designed for passenger cars rather than trucks or SUV's. Featuring our unique Resonance Tuning Chamber, the 3-chamber 50 Series Delta Flow gives the same performance as the two chambered Flowmaster mufflers and delivers increased engine efficiency for better power and mileage.

- Moderate tone – perfect for performance and passenger cars
- 409S Stainless Steel version backed by lifetime warranty
- Features advanced three-chamber design
- Delta Flow internal technology
- Available in aluminized steel or 409S Stainless Steel
- Both styles are fully MIG-welded for maximum durability



409S[®] Stainless Steel



IN / OUT	C / C	O / C	C / O	O / O	O / O SAME SIDE
2.00"	942050	942051	942052	942043	----
2.25"	942450	942451	942452	942443	----
2.50"	942550	942551	942552	942543	942554
3.00"	943050	943051	943052	943043	----

50 SERIES DELTA FLOW "SLIMLINE" MUFFLERS

4.00" THICK • 8.00" WIDE • 14.00" CASE LENGTH • 20.00" OVERALL LENGTH

2.25"	----	942456	----	942458	----
-------	------	--------	------	--------	------

3.00" THICK • 10.00" WIDE • 16.00" CASE LENGTH • 22.00" OVERALL LENGTH

2.50"	----	932556	----	932558	----
-------	------	--------	------	--------	------

409S STAINLESS STEEL MODELS

2.00"	----	----	----	----	----
2.25"	842450	842541	842452	842453	----
2.50"	----	842551	----	842553	----
3.00"	----	843051	----	843053	----



IN / OUT	D / C	C / D	D / D	O / D
2.00" / 2.00"	----	9420502	----	9420512
2.25" / 2.00"	----	9424502	----	9424512
2.50" / 2.00"	----	9425502	----	9425512
3.00" / 2.25"	----	9430522	----	----
3.00" / 2.50"	----	9430502	----	9430512

409S STAINLESS STEEL MODELS

3.00" / 2.25"	----	8430522	----	----
3.00" / 2.50"	----	8430502	----	----

« SPACE SAVER

Concerned about ground clearance with your corner carving hot rod? The Slimline 50 series mufflers, part numbers 932556 and 932558, feature a 3-inch thick case that works well with vehicles where ground clearance is an issue. Part numbers 942456 and 942458 have narrow 8-inch wide cases that are perfect for early Jeep owners that need a dual exhaust after an engine conversion.

